

5012 Mini RGB Controller



Summarization

Mini RGB controller is a strip controller. It presents 19 dynamic modes and 20 static colors, at the top performance of similar products. You can easily change mode, speed, color and brightness by pressing 3 keys on it's ultra slim body. R101 also has auto memorize function and can output up to 144 watts power. It's the best mate of your LED strips.

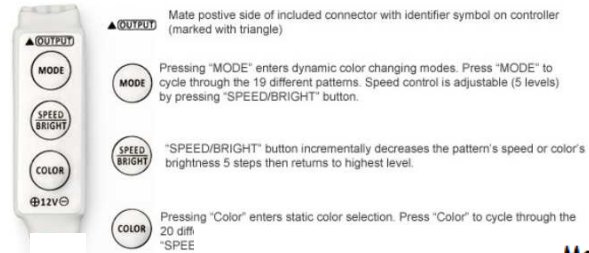
Main feature

- 20 static colors
- 256-level PWM control mode
- Auto-cycle dynamic mode
- Speed and brightness adjustable
- Up to 144 power
- Auto memorize function
- Easy operate keys
- Ultra slim design

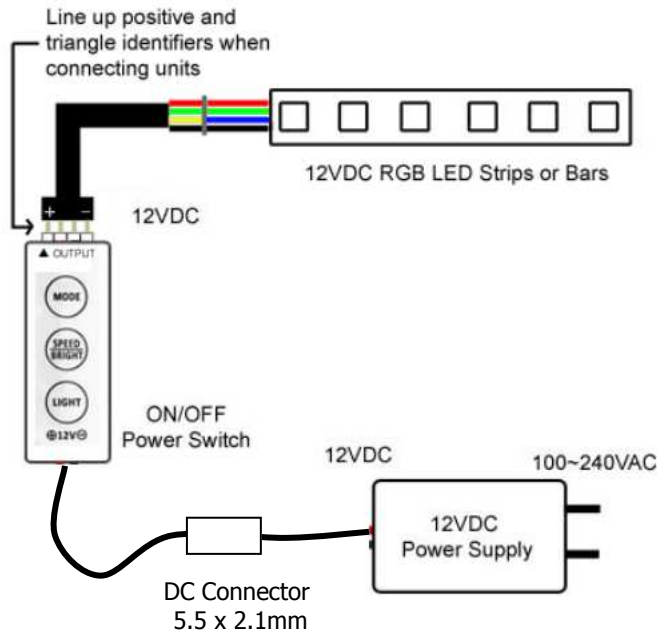
Technical Parameters

- Working temperature: -30°C ~ +75°C
- Working voltage: DC8-16V
- Dynamic mode : 19 modes
- Static colors: 20
- PWM control level: 256 levels
- Speed grade of dynamic mode: 5 levels
- Brightness level of static color: 5 levels
- Max out current: 3*4A
- Max output power: 144W
- Dimension: 42*12*3mm

Button Functions



Typical Wiring Schematic



Mode List

Static Colors: (Select "COLOR")		Dynamic Color Changing: (Select "MODE")	
1. Blue	11. Orange	1. Random	11. Tri-color instant change
2. Green	12. Yellow	2. Seven-color fade	12. Seven-color instant change
3. Red	13. Lime Green	3. Tri-color crossfade	13. Tri-color strobe
4. Ultra-Violet Blue	14. Aqua	4. Seven-color crossfade	14. Blue strobe
5. Light Blue	15. Sky Blue	5. Blue fade in/out	15. Aqua strobe
6. Indigo	16. Pure White	6. Aqua fade in/out	16. Green strobe
7. Purple	17. Cool White	7. Green fade in/out	17. Red strobe
8. Light Purple	18. Super Cool White	8. Yellow fade in/out	18. White strobe
9. Magenta	19. Blue White	9. Red fade in/out	19. Seven-color strobe
10. Coral	20. Deep Blue	10. White fade in/out	

Mouser Electronics

Authorized Distributor

Click to View Pricing, Inventory, Delivery & Lifecycle Information:

[Inspired LED:](#)

[5012](#)